



## Stainless Steel Mighty-Mini<sup>®</sup> Oil Skimmer w/Timer Installation Instructions

### Step 1.

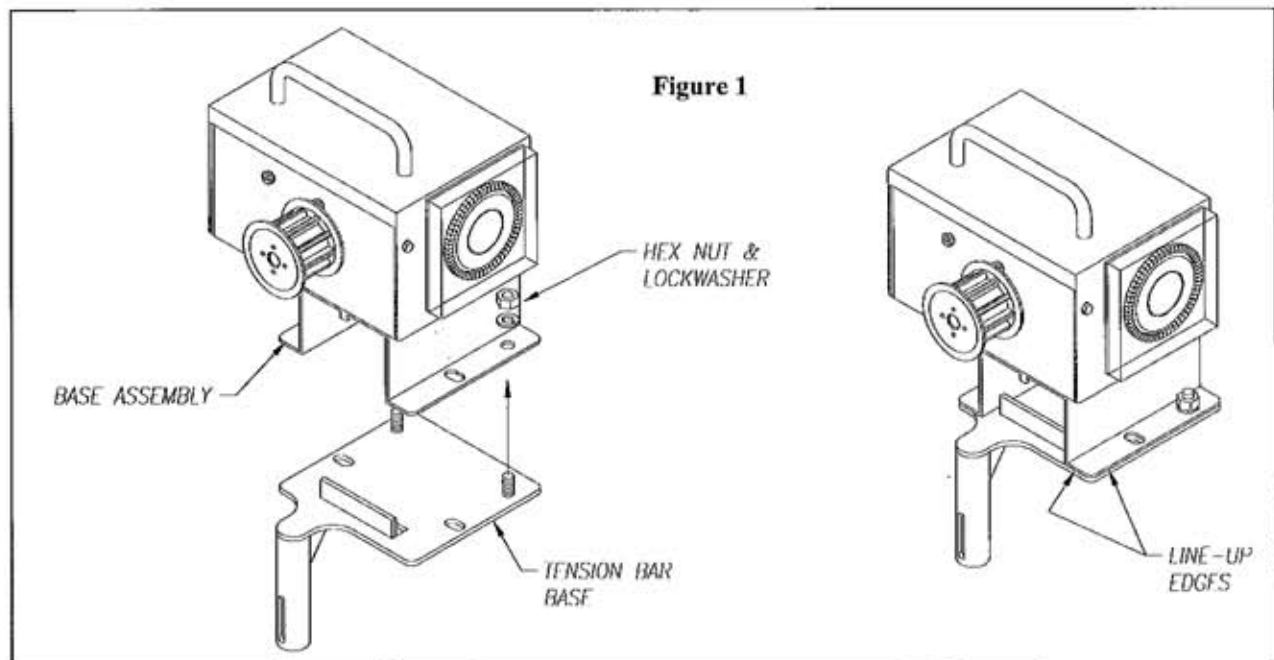
Open and unpack your **Stainless Steel Mighty Mini<sup>®</sup>** Oil Skimmer carton. If you ordered the optional ODM-100 Oil Concentrator Decanter, there will be a separate carton. Otherwise all Mighty Mini components are in a single carton. Check the contents of the carton; you should have:

1. Base Assembly with Timer.
2. Tension Bar Base.
3. Stabilizer Bar.
4. Removable Trough
5. Plastic Bag w/Tension Spring, 2 Hex Nuts, 2 Lockwashers, 1 #10-32x3/8" Lg. Screw (for trough), 1 #8-32x1/2" Lg. Screw (for stabilizer bar if applicable), and 2 Wiper Blades.
6. Belt in either metal, elastomer or poly-material.
7. 3 foot clear discharge hose and clamp.
8. *Optional* dual position mounting bracket. (See Fig. 7)

If any of these items are missing, contact **ABANAKI** immediately for replacement.

### Step 2. Base Installation: (See Fig. 1)

1. Attach Base Assembly to Tension Bar Base with 2 Hex Nuts and 2 Lockwashers.
2. Make sure edges of Base Assembly and Tension Bar Base line-up as shown in figure 1.

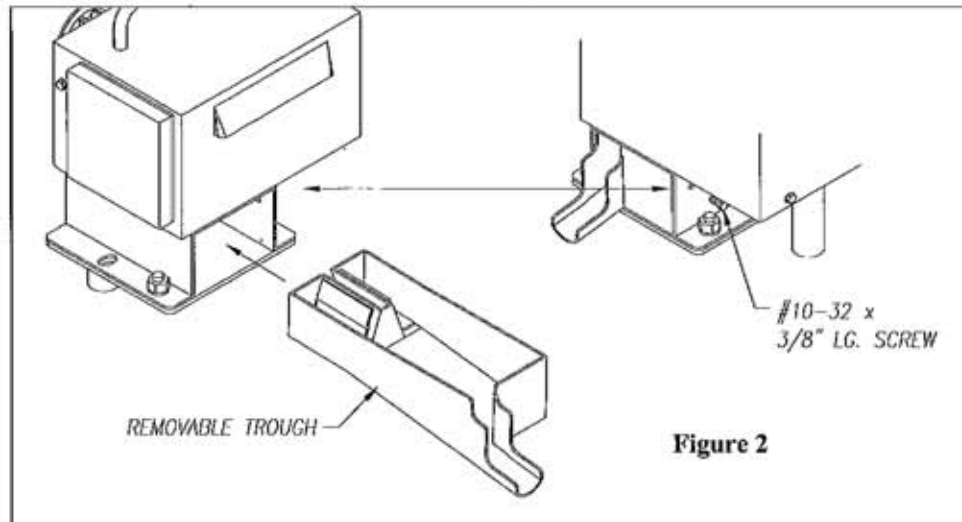




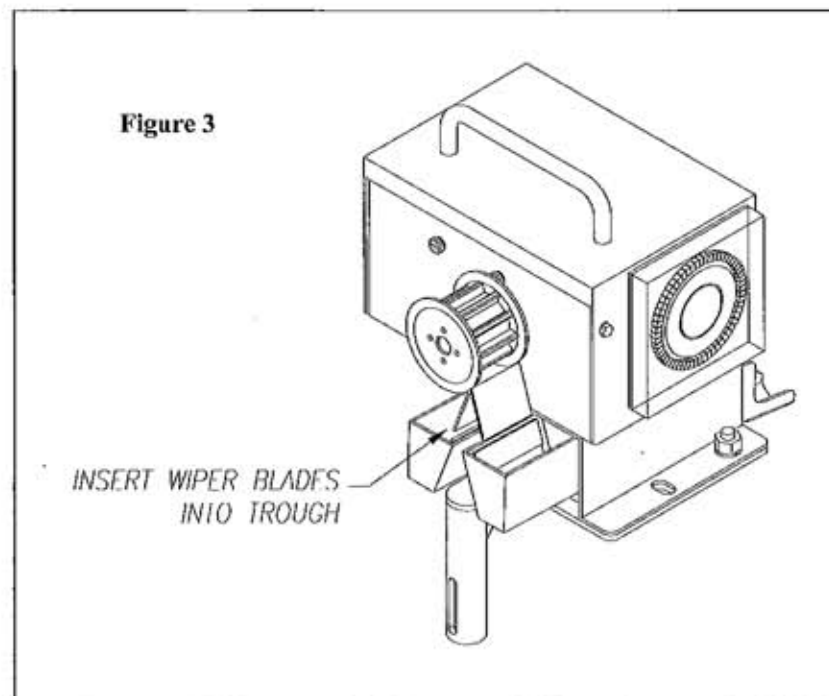
## Stainless Steel Mighty-Mini<sup>®</sup> Oil Skimmer w/Timer Installation Instructions

### Step 3. Inserting Removable Trough: (See Fig. 2)

1. Slide Removable Trough into Base Assembly from back side.
2. Fasten Trough to Base Assembly with #10-32 x 3/8" Lg. Screw



### Step 4. Insert Wiper Blades into Trough. (See Fig. 3)

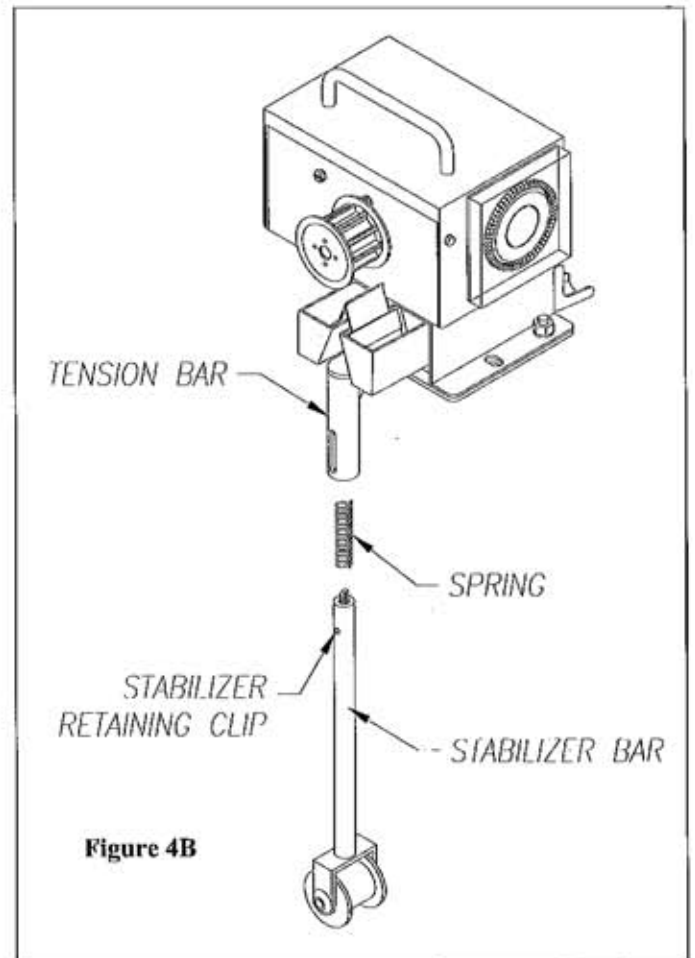
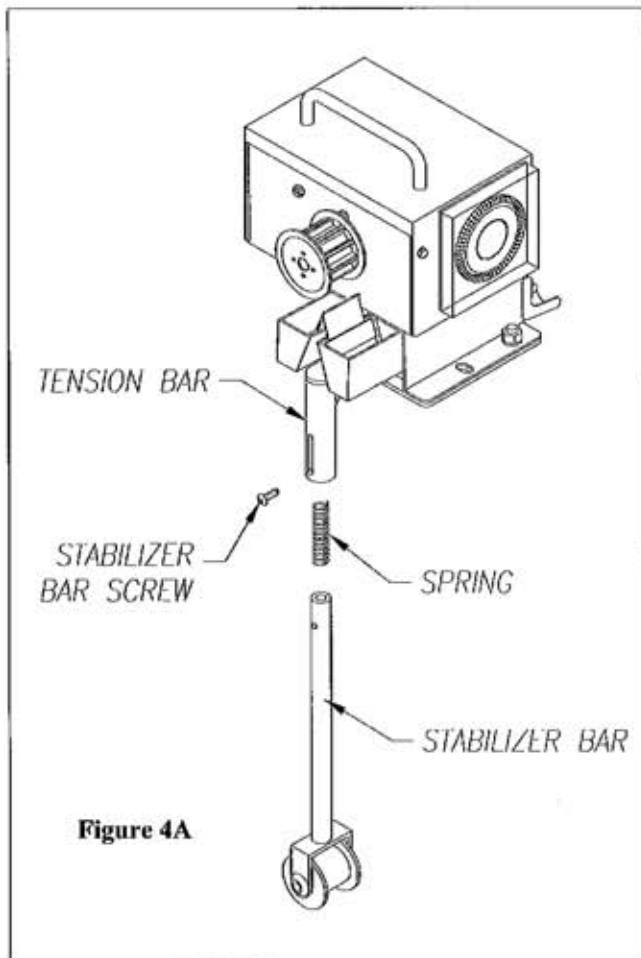




## Stainless Steel Mighty-Mini<sup>®</sup> Oil Skimmer w/Timer Installation Instructions

### Step 5. Stabilizer Bar Assembly:

1. Insert Spring and then Stabilizer Bar into Tension Bar. Tapped hole in top of Stabilizer Bar should line up with slot in Tension Bar.
2. Your skimmer may come with either a Stabilizer Retaining Clip, or a Stabilizer Bar Screw.
  - A. If you have the #8-32 x 1/2" lg. screw, insert it thru Tension Bar slot and into Stabilizer Bar. DO NOT tighten down screw. Stabilizer Bar should move freely inside Tension Bar. (See Fig. 4A)
  - B. If you have the retaining clip, while inserting Stabilizer Bar into Tension Bar, press Stabilizer Retaining Clip so that it fits into tension bar and then snaps back out into slot in tension bar. Stabilizer Bar should move freely inside Tension Bar. (See Fig 4B)

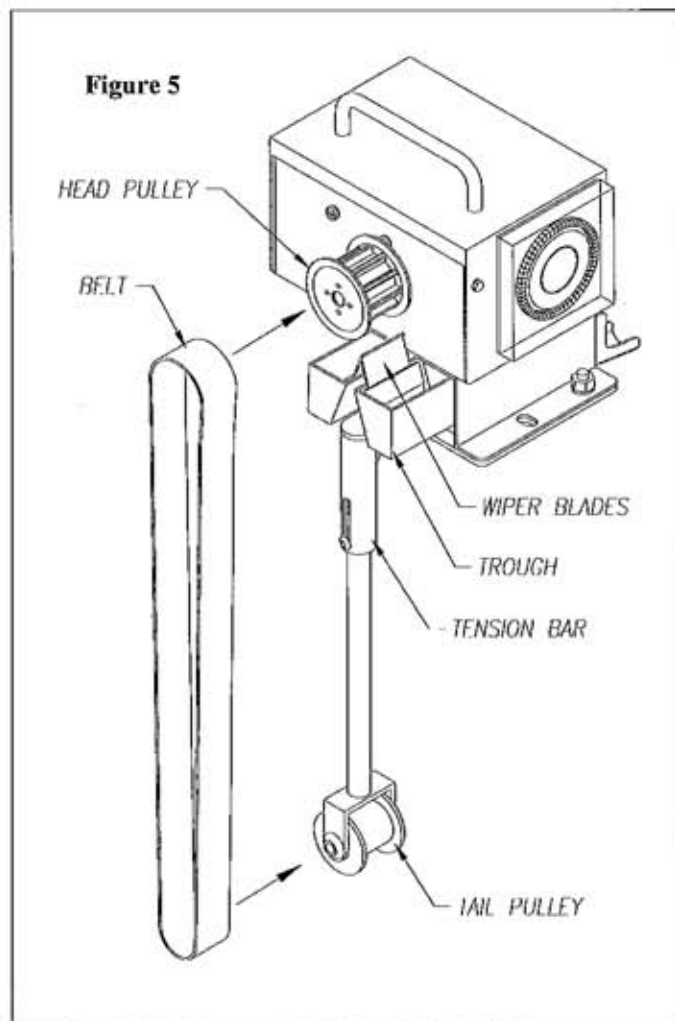




## Stainless Steel Mighty-Mini<sup>®</sup> Oil Skimmer w/Timer Installation Instructions

### Step 6. Installing the belt: (See Fig. 5)

1. Remove the belt from shipping bag.
2. When handling metal belt, use heavy work gloves to avoid cuts or injury from the extremely sharp edges of the belt.
3. When handling the belt be very careful not to dent, crease, or twist it in any way as to cause damage which will result in premature belt wear.
4. Loop the belt over the tail pulley.
5. Place the tail pulley on a flat surface and press down from the top so that the spring in the tension bar is compressed. Guide the belt between the wiper blades and over the head pulley.
6. Release the tension on the tail pulley.

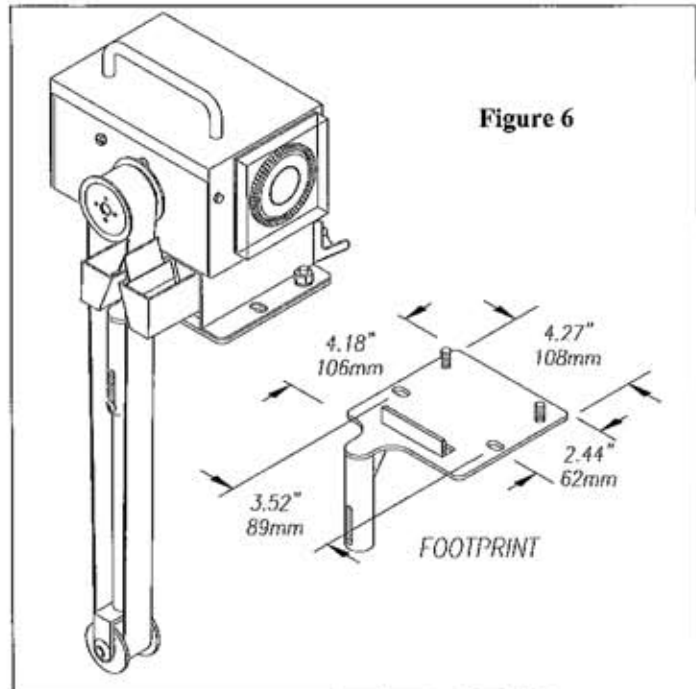




## Stainless Steel Mighty-Mini<sup>®</sup> Oil Skimmer w/Timer Installation Instructions

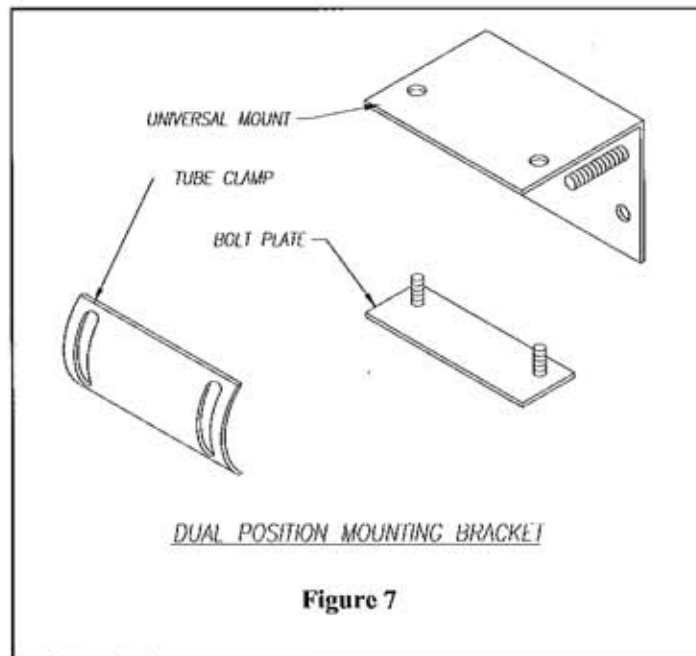
### Step 7. Mounting the Mighty Mini:

1. Flat Mount - Simply mount the unit on a clean level surface with two 1/4-20 bolts. (See Fig. 6)
2. Optional Dual Position Mounting Bracket - for use when mounting unit to a vertical wall, flanged tank or open top drum. Note: When mounting with the bracket, the bolt plate is used to secure the Mighty Mini. (See Fig. 7) The bolt plate is always used on the horizontal surface of the bracket. (See Figures 9 & 10)
3. When mounting with the optional ODM-100 Oil Concentrator, the ODM-100 adapter bracket is to be inserted between the skimmer base and the universal mounting bracket using the studs of the bolt plate. Align the holes so that the bolts will secure the entire skimming system. (See Fig. 11)



### Step 8. Attaching the discharge hose:

1. Slide the hose over the entire discharge trough. Hint: Apply water to the end of the tubing. This will allow the tubing to slide easier onto the discharge trough. Attach clamp to hose where hose and trough overlap. Use a pair of pliers to tighten clamp. To remove clamp simply slide clamp teeth apart.





# Stainless Steel Mighty-Mini<sup>®</sup> Oil Skimmer w/Timer Installation Instructions

## Step 9. Setting the Timer: (See Fig. 8)

Turn the time dial to the time of day. Set the desired switching program by pushing the switch actuators toward the center of the dial. Each segment equals 15 minutes. **Note: Always turn the dial in a clockwise direction!**

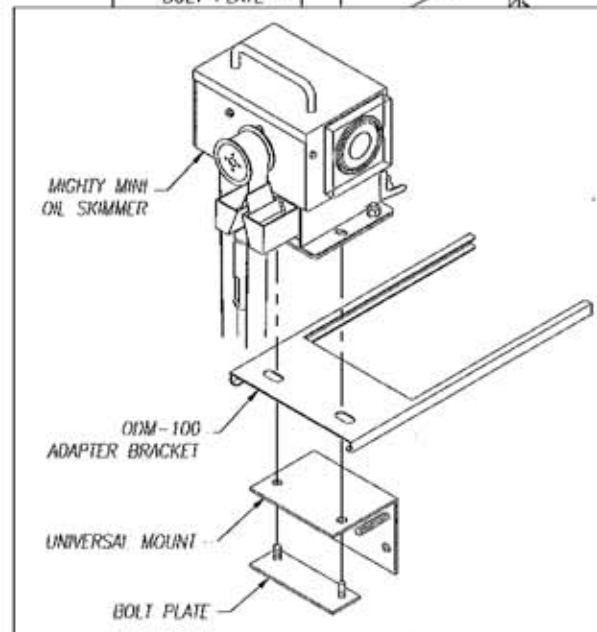
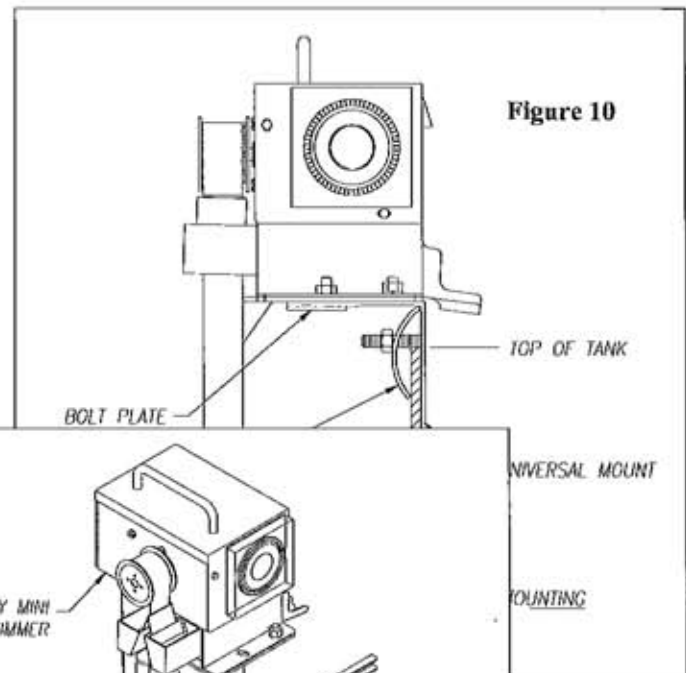
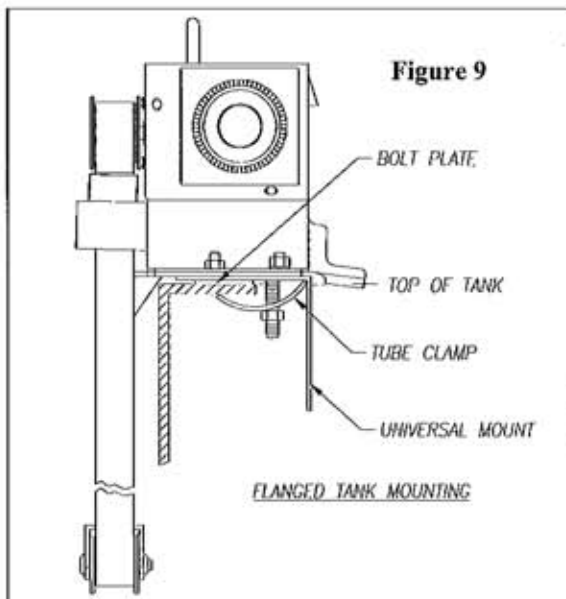
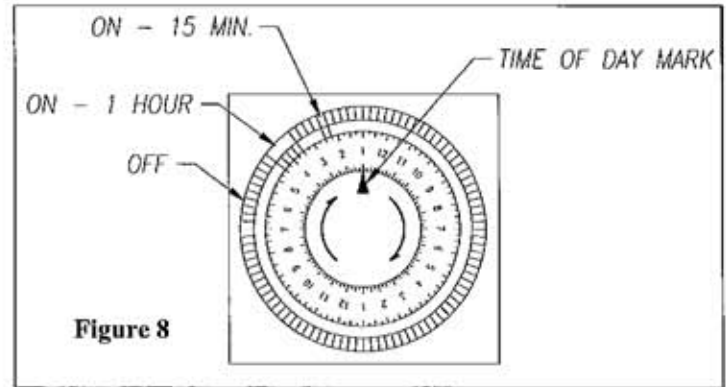
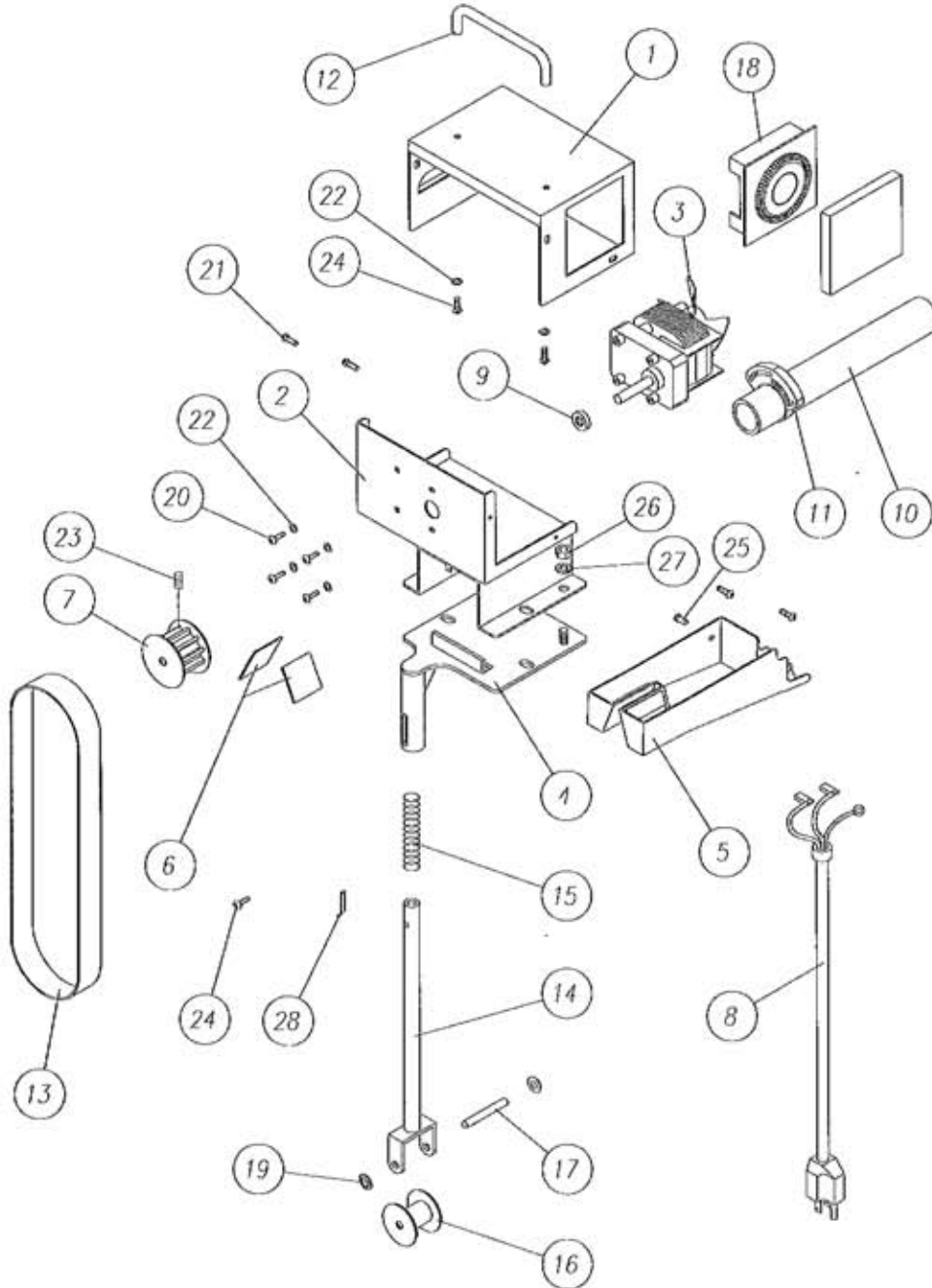


Figure 11



# Stainless Steel Mighty-Mini<sup>®</sup> Oil Skimmer w/Timer Installation Instructions



**NOTE: DO NOT TIGHTEN DOWN SCREW (ITEM 24) LOCATED ON THE STABILIZER BAR (ITEM 14)**  
(Part descriptions listed on page 8)



# Stainless Steel Mighty-Mini<sup>®</sup> Oil Skimmer w/Timer

## Installation Instructions

Item	Qty	Part Name	Item	Qty	Part Name	Item	Qty	Part Name
1	1	Base Cover	10	1	Clear Discharge Hose	19	2	1/4" Flat Round S.S. Push Nut
2	1	Base	11	1	Hose Clamp	20	4	#8-32 x 1/4" Lg. S.S. Screw
3	1	Fan Cooled Motor 110V Fan Cooled Motor 220V	12	1	S.S. Handle	21	4	#8-32 x 3/8" Hex S.S. Screw
4	1	Tension Bar Base 1" for 6" unit 1" for 12, 18 & 24" units 2" for 6" unit 2" for 12, 18 & 24" units	13	1	Belt Specify: 1" or 2" wide (S) - Steel Belt (E) - Elastomer (P) - Poly	22	6	#8 S.S. Lock Washer
5	1	1" Trough 2" Trough	14	1	Stabilizer Bar	23	1	1/4-20 x 1/2" Lg. SS Screw
6	1	1" Wiper Blade Set 2" Wiper Blade Set	15	1	S.S. Spring	24	3	#8-32 x 1/2" S.S. Pan Head Screw
7	1	1" Head Pulley 2" Head Pulley	16	1	1" Tail Pulley 2" Tail Pulley	25	1	#10-32 x 1/2" Lg. Screw
8	1	8' 3 Prong cord	17	1	1/4" Dia. x 1-7/8" Lg. S.S. Pin 2-7/8" Lg. for 2" unit	26	2	1/4-20 Hex Nut
9	1	Shaft Seal	18	1	110V Timer 220V Timer	27	2	1/4" Lockwasher
						28	1	Stabilizer Retaining Clip (if applicable)