



Auto Wash TMB 7000

Operating Instructions & Warranty Information

Service Line Inc.
2320 Zinga Dr.
Reedsburg, WI 53959
1-800-774-7900
www.renegadepartswashers.com

Accurate from 03/24/09 Through Present



Contents

Contents	1
Introduction & Safety	2
Safety Instructions	3-4
Operation	5
Maintenance	6
Troubleshooting Guide	7
220 Volt Electrical System Diagram	8
Digital Time Clock Instructions	9
Warranty Information	10

Introduction & Safety

Who Should Use This Manual?

This manual has been prepared for the owner and all those responsible for the safe installation, operation, and maintenance of this parts cleaning system. To answer any additional questions please call Customer Service toll free at 1-800-774-7900.

General Information

The TMB 7000 parts washer has been designed to replace hazardous solvents in the work place and automate a labor intensified job. The general design and construction of this parts cleaning station has been dictated to Service Line by end users like yourself. Replacing hazardous chemicals in the work place makes for a cleaner and safer environment.

Safety Instructions

CAUTION

ALWAYS wear approved eye protection and gloves while operating this parts washer.

CAUTION

READ this manual before using this cleaning station

CAUTION

ALWAYS as with any cleaning unit use common sense while operating this washer.

“IMPORTANT SAFETY INSTRUCTIONS”

When using your shop equipment, basic safety precautions should always be followed, including:

1. Read all instructions
2. Care must be taken as burns can occur from touching hot parts.
3. Do not operate equipment with a damaged cord or if the equipment has been dropped or damaged – until it has been examined by qualified serviceman.
4. Do not let cord hang over edge of table, bench or counter or come in contact with hot manifolds or moving fan blades.
5. If an extension cord is necessary, a cord with a current rating equal to or more than that of equipment should be used. Cords rated for less current than the equipment requires may overheat. Care should be taken to arrange the cord so that it will not be tripped over or pulled.
6. Always unplug electrical equipment from electrical outlet when not in use. Never use the cord to pull the plug from the outlet. Grasp plug and pull to disconnect.
7. Let equipment cool completely before putting away. Loop cord loosely around equipment when storing.
8. To reduce the risk of fire, do not operate equipment in the vicinity of open containers of flammable materials like gasoline.
9. Adequate ventilation should be provided when working on or operating internal combustion engines.
10. Keep hair, loose clothing, fingers, and all parts of body away from moving parts.

11. To reduce the risk of electric shock, do not use on wet surfaces or expose to rain.

12. Use only as described in this manual. Use only manufacturer's recommended attachments.

13. **ALWAYS WEAR SAFETY GLASSES.** Everyday eyeglasses only have impact resistant lenses, they are **NOT** safety glasses.

14. "This product is to be located where mechanical ventilation providing a minimum of four air changes per hour exists." Or the equivalent.

"SAVE THESE INSTRUCTIONS"



Operation

1. MACHINE WARM-UP

Before attempting to clean parts, make sure your cleaning solution has reached operating temperature, 160 degrees F. to 190 degrees F.

110 volt units may take 8-12 hours to reach operating temperature.

220 volt units may take 2-4 hours to reach operating temperature.

2. To activate solution pump, turn wash cycle timer.
3. Check water level daily. Add water as necessary.
4. As water evaporates and top off water is added, it will be necessary to add *Renegade Jet Wash Detergent* powder or liquid.
5. Your unit is equipped with a low water shut off switch. This switch will disable the entire unit and sound an alarm until water is added. The alarm will sound when your unit is 5-10 gallons low on water. You must add water before your unit will function again.



Maintenance

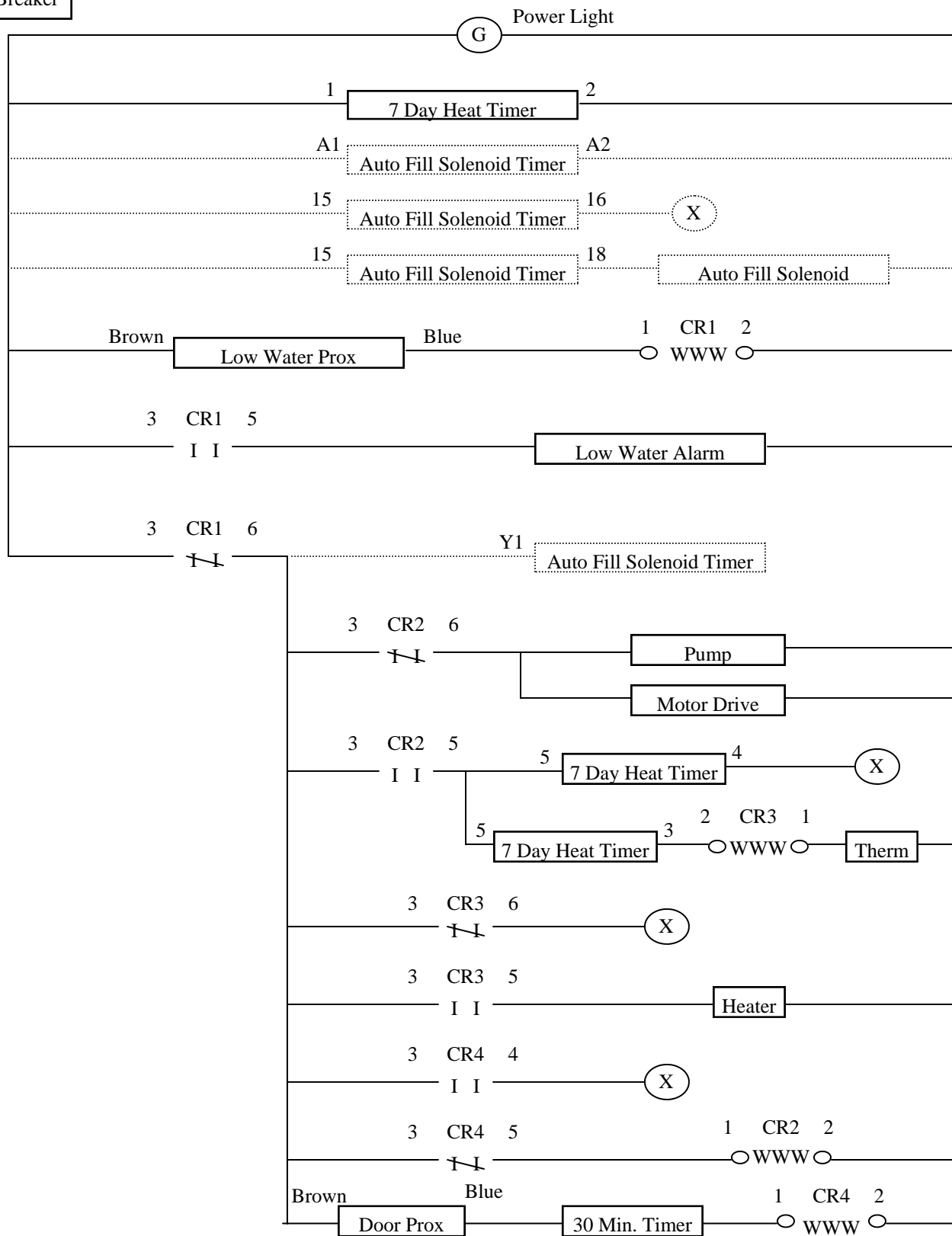
1. Check water level daily.
2. Wipe out and clean debris tray often.
3. Add detergent as necessary.
If using Jet Wash powder / 1 lb. per 4 gal. of water.
If using Jet Wash liquid / 2-5 oz. per gallon of water.
4. Change solution every 30 days.
5. Replace spray manifolds annually.
6. Program oil skimmer to run every night.
7. Dispose of waste materials in accordance with Federal, State, and/or Local Regulations.

Troubleshooting Guide

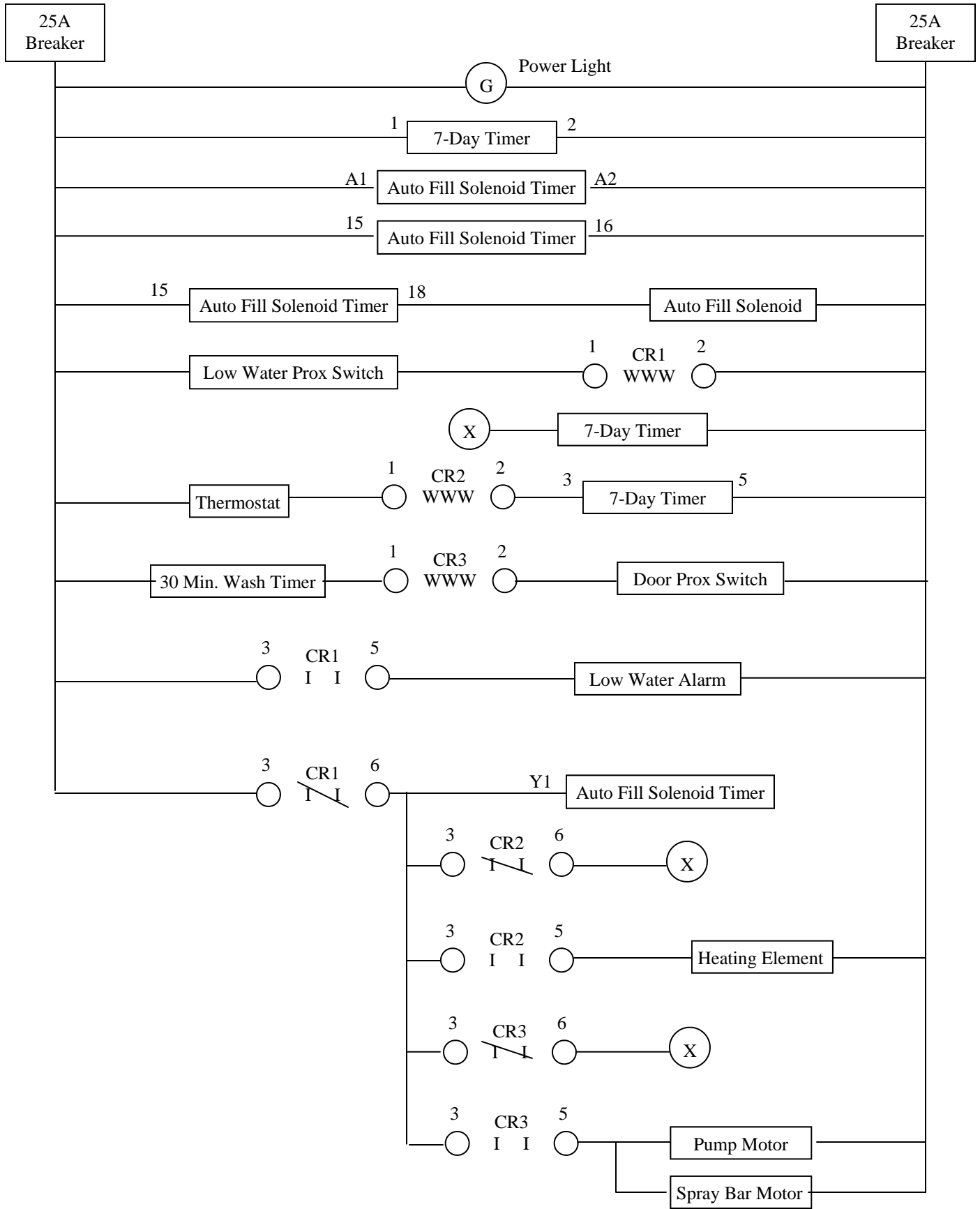
<u>PROBLEM</u>	<u>CAUSE</u>
Foam	<ol style="list-style-type: none">1) Too Cold.2) Not Enough Detergent.3) Needs to be Serviced.
Rust	<ol style="list-style-type: none">1) Not Enough Detergent.
Poor Cleaning Performance	<ol style="list-style-type: none">1) Not Enough Detergent.2) Needs to be Serviced.3) Plugged Spray Nozzles4) Spray Bars Not Turning
Pump Not Pumping / Pumping Slowly	<ol style="list-style-type: none">1) Low Water Level.2) Plugged Holes In Spray Manifold.3) Door Safety Switch Not Engaged or Not Working
Oil Skimmer Not Skimming	<ol style="list-style-type: none">1) Low Water Level2) Damaged Skimmer Belt
Spray Manifold Not Turning	<ol style="list-style-type: none">1) Belt Needs Adjustment2) Spray Manifold Obstruction

120V TMB 7000 Auto Wash

25A
Breaker



220v TMB 7000 Auto Wash



Series 884 Digital Time Clock: Setting Instructions

This time clock provides flexible timing for daily and/or weekly programming. Setting the 884 is simple and fast by means of push buttons and display prompts. This timer combines 24 hour/7 day timing. Up to 8 on/off operations are allowed for each day for a total of up to 63 switching cycles per week. Minimum setting is 1 minute. Lithium battery provides 5 year back-up.

Note: to save time you can set up each on/off cycle;

- A) to be unique for each individual day, or
- B) for Monday to Friday (days 1-5), or
- C) for weekends only (days 6 & 7), or
- D) for all days except Sunday (days 1-6), or...
- E) the entire week at one time. This can save a lot of time when programming the "on" "off" cycles.

Directions: Slide the RUN switch to "P",

- Press the "1...7" seven times and notice a single arrow will move in steps below the 1-7 numbers, indicating the individual days of the week
- The next time you press the button you will see days 1-5 highlighted with arrows (Monday-Friday).
- The next time you press "1...7" you will see arrows highlighting 6 and 7 (weekends).
- The next time you press "1...7" you will see arrows highlighting all days except Sunday.
- The next time you press "1...7" you will see arrows highlighting all days of the week.

#1 Setting the Current Time and Current Day:

- slide the RUN switch to "P".
- press 1...7 button until arrow points to current day (1=Monday, 2=Tuesday, etc.) press "h" then "m" buttons to set the current time. The "PM" indicator shows noon to 11:59 p.m.
- slide RUN switch to "run". The clock colon will blink between the hours and minutes.

#2 Setting Each Cycle to "Switch On"

- slide the RUN switch to "P", a "1" indicates this is the first switch cycle and a "bulb" icon indicates a switch-on condition (circuit closes). Hint: odd numbers indicate a switch-on cycle.
- press 1...7 button until arrows point to selected day (s) you want this "ON" cycle to occur. See "Note:" above instructing how to choose days of the week.
- press "h" and "m" to show switch-on time, noting the "PM" indicator.

#3 Setting Each Cycle to "Switch Off"

- Slide RUN switch to "P" press "p" button, note switch cycle number changes to 2 and bulb blinks, indication switch-off (circuit opens). Hint: even numbers indicate a "switch-off" cycle.
- press 1...7 button until arrows point to selected day (s) you want this OFF cycle to occur.
- press "h" and "m" button to select switch-off-time.

**Remember you can repeat the above steps to program up to 8 on/off events for each day of the week. By pressing the lower "P" button you can advance to the desired on/off cycle.

- slide the RUN switch to RUN position.
- the clock colon will blink

#4 Autorun mode

- set time and day and desired switch cycles
- slide set switch to RUN and mode switch to AUTO. Switching will begin with the next switch-on set time.

#5 To Switch the Override On -slide mode switch to I - the switch remains on indefinitely (circuit closed)

#6 To Switch the Override OFF - slide mode to 0 the switch remains off indefinitely (circuit open)

#7 Skip Cycle—in automatic run mode, press the X—> button, the next calendar day is skipped.

#8 Setting Error—If EEE appears, a setting error exists. The switch cycle number in error is shown. Slide set switch to P, press button until cycle is shown, review this and the following setting to correct error slide set switch to RUN

#9 Clear Any Setting—slide the RUN switch to P, press the lower P, button to show switch cycle you want to clear. Press 1...7 button until no days are indicated. Repeat for the following switch cycle. This on/off is now inactive.

#10 Clear All—To erase all settings, press R.

Warranty

Service Line warrants the cleaning station listed in this manual to be free from all defects in material and workmanship for a period

Of (1) year from the date purchased by original end user,

Provided: (a) they are given normal and proper use, care and maintained as listed in this Manual, all electrical and installations must be made in accordance with Service Line's specifications.

Service Line warrants the general construction of the "lid and holding tank" to be free from all defects in material and workmanship for a period of (5) years provided:

(a) they are given normal and proper use as listed in this manual.

(5 year warranty does *not* include any parts or accessories mounted to the "lid and holding tank")

The following items are not covered by this warranty:

Pump and Heating Elements (if damage is caused by low water supply).

This warranty does not cover any electrical components that come in contact with cleaning solution if the detergent used is not approved by Service Line, in writing, prior to using in this unit.

All warranty items must be returned to Service Line prepaid freight.

Service Line does not reimburse any labor, and is only responsible for defective part.

THERE ARE NO WARRANTIES WHICH EXTEND BEYOND THE DESCRIPTION AND WARRANTIES CONTAINED HEREIN. THE WARRANTIES EXPRESSED HEREIN ARE IN LIEU OF ANY OTHER WARRANTIES, EXPRESSED OR IMPLIED. ANY IMPLIED WARRANTY OF MERCHANTABILITY AND IMPLIED WARRANTY FITNESS FOR A PARTICULAR PURPOSE OR APPLICATION ARE HEREBY EXCLUDED. BUYERS REMEDY IS LIMITED TO, AND SERVICE LINE'S MAXIMUM LIABILITY SHALL NOT EXCEED EITHER, (a) REPAIR OR REPLACEMENT OF THE DEFECTIVE PART OF PRODUCT OR, AT SERVICE LINE'S OPTION, (b) RETURN OF THE PRODUCT AND REFUND OF THE PURCHASE PRICE. SUCH REMEDY SHALL BE ENTIRE AND ONLY REMEDY

Some states do not allow exclusion or limitation of incidental or consequential damages, so the above limitation may not apply to you. This warranty gives you specific legal rights, and you may also have other rights which vary from state to state.

Service Line, Inc. reserves the right under its "Product Improvement" policy to change construction or design details and furnish equipment when so altered without reference to illustrations or specifications.

Rev. 6-25-97 / Amended 12-6-2000